



COOKING EQUIPMENT

NO.32 HEAVY-DUTY FAN-COOLED COUNTER STYLE MEAT GRINDER

Item: 43628

Model: MG-CN-0032-M



Authorized Dealer

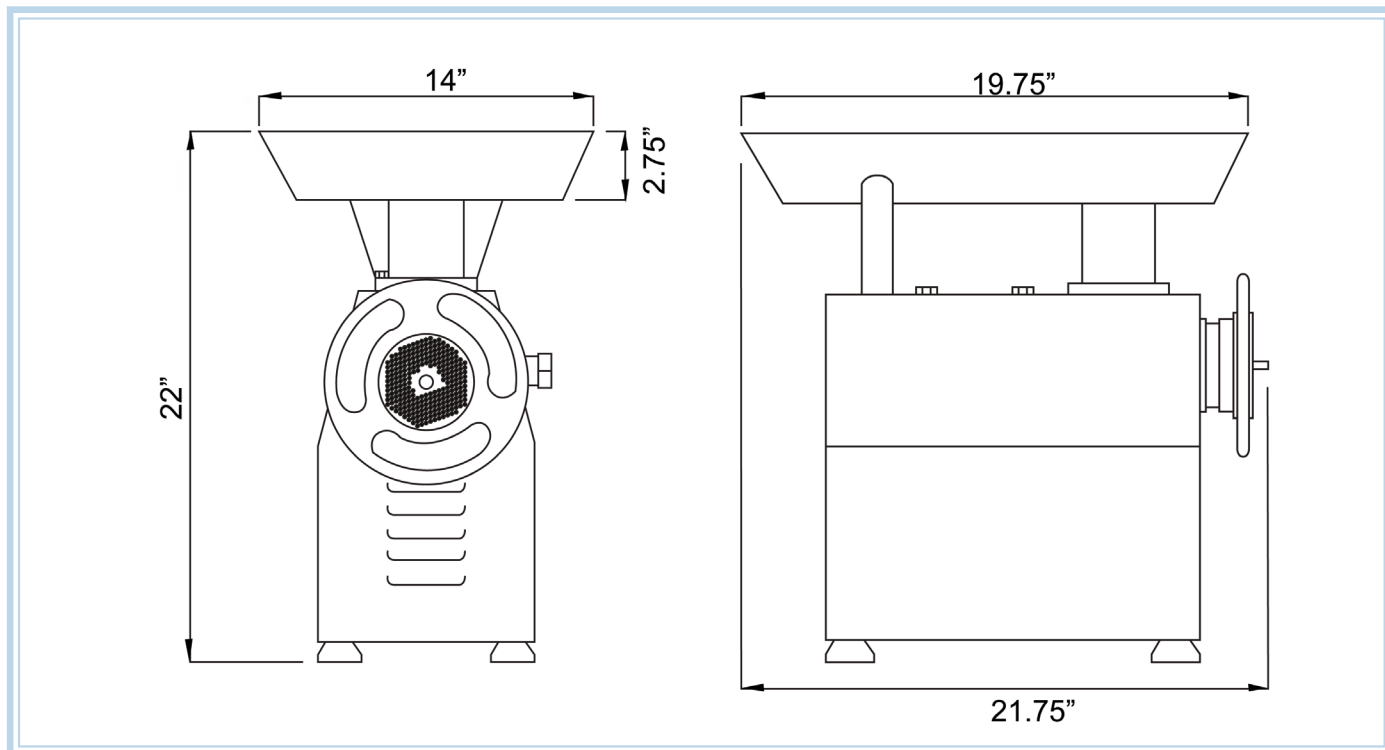


WARRANTY
PARTS AND LABOR



COOKING EQUIPMENT

NO.32 HEAVY-DUTY FAN-COOLED COUNTER STYLE MEAT GRINDER



Features:

The complete head, body, and feed pan is manufactured from stainless steel. The machine conforms to CE hygiene and regulation standards. Ideally designed for butcher shops, food stores, and restaurants.

TECHNICAL SPECIFICATION

ITEM NUMBER	43628
MODEL	MG-CN-0032-M
HP	2
HEAD SIZE	32
RPM	190
THROAT OPENING	2.75" / 70 mm
HOPPER SIZE	19.75" x 14" x 2.75"
ELECTRICAL	50cm x 35.5cm x 7cm
WEIGHT	110V/ 60/ 1
PACKAGING WEIGHT	61 kg /134 lbs.
DIMENSIONS (DWH)	63.3 kg. / 140 lbs.
ADDITIONAL INFO	21.75" x 22" x 14" 550 x 560 x 356 mm

Comes with micro-switch. Available in both USA and Canada

OMCAN INC.

Telephone: 1-800-465-0234
 Fax: (905) 607-0234
 E-mail: sales@omcan.com
 Website: www.omcan.com



Follow us to keep up to date with the latest news and offers

